

Freezer - F 1411 Vi



Design

Useable capacity

Controls

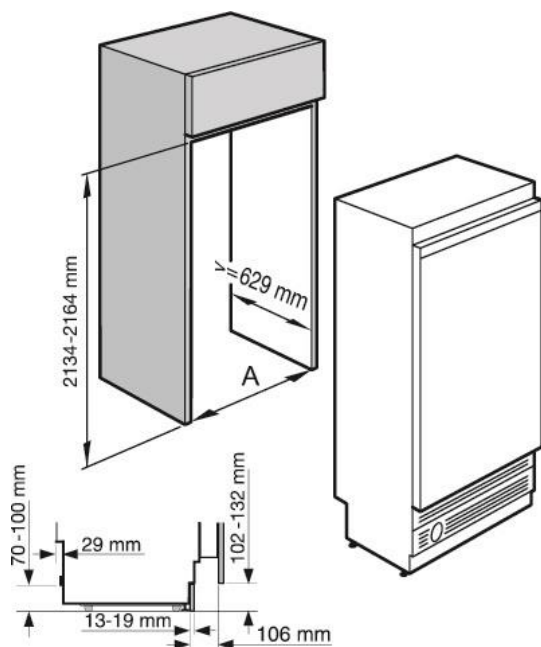
Features

Energy consumption

Energy efficiency

Environmental friendly refrigerant

- Fully integrated 4-Star freezer with internal ice maker
- Door hinged left
- Must be plumbed into mains water supply
- 206 litres
- Precise electronic temperature control and digital display
- No frost system
- Super freeze function with on/off sensor
- Freezing capacity in 24 h: 14 kg
- Makes 1.2 kg ice in 24 hours
- Intuitive MasterCool touch control panel
- Water filter
- Water filter indicator
- BrilliantLight lighting
- MaxLoad hinge
- 4 interior shelves (3 height adjustable Drop&Lock shelves) with aluminium edge trim
- 2 FullAccess telescopic freezer baskets
- Visual and acoustic alarm for temperature and door
- Maximum storage time in event of power cut 13 hours
- 304 kWh in 365 days
- HK Energy efficiency rating: 2010 grading standard: Grade 1
2014 grading standard: Grade 3
- EU Energy efficiency rating: A+
- CFC- and HFC-free



A. Niche width: 457 mm – 460 mm

Installation requirements

- 220 – 230 V (50Hz)
- Rated load 601 W
- Fuse rating 13 A
- Length of cable: 200 cm
- Electrical and water supply required
- Water supply – Stainless steel inlet hose with $\frac{3}{4}$ " female threaded union, 3 m in length. Water pressure min. 1.72 bar, max. 8.25 bar

Built-in dimensions

| | |
|--------|----------------|
| Height | 2134 – 2164 mm |
| Width | 457 – 460 mm |
| Depth | min. 629 mm |

Appliance dimensions

| | |
|--------|---------|
| Height | 2127 mm |
| Width | 445 mm |
| Depth | 610 mm |
| Weight | 145 kg |